



# TECHNICAL SHEET

## UE Stage-CO2 CO2 Light DMX

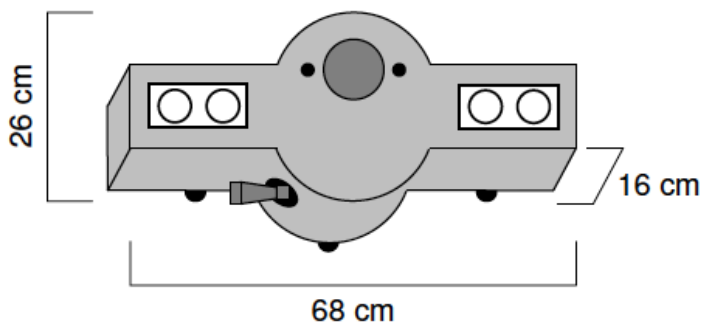
Article code: PFPOSC003127

This is an extraordinary stage machinery, used to discharge CO2. It is supplied with an adapter for a thin or a large output. Its design is shaped so that it is discreet, when on the floor or hung up, thanks also to the optional U-fixing. This version is fitted with a very powerful lighting, including 4 MR16-71W white lamps. The effect is totally controlled via the protocol DMX-512 through 2 channels, one for the jet and the other one for the light.



## PART LIST

- 1 x UE Stage-CO2 Light DMX
- 1 x UE PowerCon Supply Male 10A 2m



## SPECIFICATIONS

Dimensions (L x W x H in cm): 68 x 26 x 16

Weight (kg): 8

Rating: 230V – 50/60 Hz – 315W – 1.4A

Lighting: 4 MR16-71W lamps

## FEATURES

Fitted with 1 output for CO2 shooting.

Secured connection for connecting the High Pressure hose.

Consumption: 0.33kg/sec of CO2.

## ACCESSORIES (REQUIRED)

- 1 x UE Gas HP Pipe
- 1 x UE Connection for CO2 Bottle

## ACCESSORIES (OPTIONAL)

- UE Head Extension for Stage-Arc-Blaster Co2
- UE Head Silent for Stage-Arc-Blaster Co2
- UE Co2 Bracket for Stage-Arc-Blaster Co2
- UE PowerCon Link cable
- UE Gas Splitter 1-2 Chamber
- UE Detector of CO2
- UE Detector Cable
- UE Interface Security Pack

## CONSUMABLES

Co2 Bottle with dip pipe to get a liquid phase.  
Please ask if case you want the list of our gas suppliers.

**Universal-Effects, Technology Made in France Quality**

Universal-Effects Europe – Parc de l'Evènement, 1 Allée d'Effiat, 91160 LONGJUMEAU – FRANCE  
Factory & Delivery : Universal-Effects Manufacture – 87 Route de Montcenis, 71200 LE CREUSOT – FRANCE  
Office +33 (0)385 730 747 – Fax +33 (0)385 730 745 – Email [info@universal-effects.com](mailto:info@universal-effects.com) – [www.universal-effects.com](http://www.universal-effects.com)