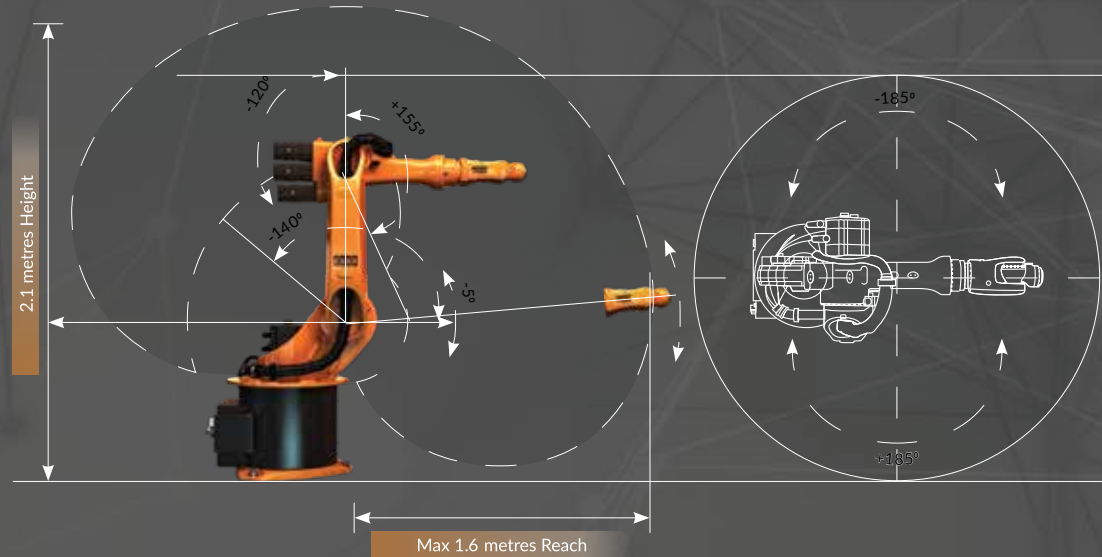


D2 – ROBOTIC ARMS

Compact, Light and Precise



KR16-2 ROBOTIC ARM SPECIFICATIONS

NUMBER OF CONTROL AXES	6
WEIGHT	235 kg
RATED PAYLOAD	16 kg
MAXIMUM REACH	1.6 m
SOUND LEVEL	< 75 dB (A)
HEIGHT (WITHOUT BASE)	2.1 m

These smaller D2 robotic arms have all the functions of the larger robots but weigh a lot less and therefore the ideal choice for venues with lower weight loads. These are extremely versatile six-axis robots that offer a convincing combination of extreme precision, high speed and agility. Their jointed-arm kinematic system makes them the perfect partner for all point-to-point and continuous-path controlled tasks in the low payload category. Thanks to their minimised disruptive contours and their streamlined, compact design, these robots work with high accessibility even in confined spaces.

They strike a perfect balance between space requirements, reach, weight, speed and energy consumption. They can work with payloads of up to 16kgs and are the ideal robot choice for exhibitions and for event areas where close up interaction with guests are required such as serving drinks, live artist applications, etc.

